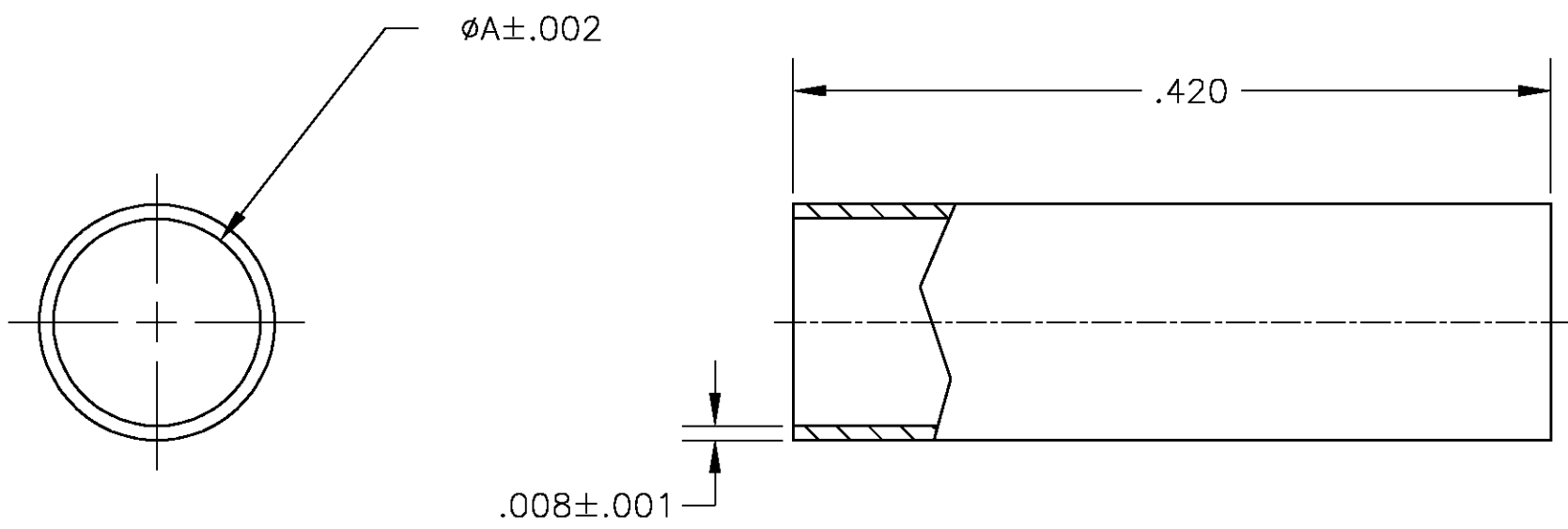


THIS DRAWING IS UNPUBLISHED. RELEASED FOR PUBLICATION
 © COPYRIGHT BY TYCO ELECTRONICS CORPORATION. ALL RIGHTS RESERVED.

LOC	DIST	REVISIONS					
AJ	16	P	LTR	DESCRIPTION	DATE	DWN	APVD
		B		REVISED PER 0S14-0293-03	12SEP03	G.V.	K.W.



NOTES:

- 1. MAT'L: COPPER PER ASTM-B-188.
- 2. SILVER PLATE PER QQ-S-365.
- 3. TIN-LEAD PLATE PER ASTM-B-545, WITH SUPPLEMENTAL ANTI FRETTING LUBRICANT.
- 4. MATTE TIN PLATE PER ASTM-B-545, WITH SUPPLEMENTAL ANTI FRETTING LUBRICANT.

.115	4	9-50285-0
.130	3	50285-8
.115	3	50285-7
.130	2	50285-5
.115	2	50285-1
ϕA	FINISH	PART NO.

THIS DRAWING IS A CONTROLLED DOCUMENT.		DWN G. VIERA 11SEP2003	Tyco Electronics Corporation Harrisburg, PA 17105-3608	
DIMENSIONS: INCHES		CHK K. WEIDNER 12SEP03		
		APVD K. WEIDNER 12SEP03	NAME COAXIAL, R.F. FERRULE	
TOLERANCES UNLESS OTHERWISE SPECIFIED:		PRODUCT SPEC	RESTRICTED TO	
0 PLC ± - 1 PLC ± - 2 PLC ± - 3 PLC ± .008 4 PLC ± - ANGLES ± 5'		APPLICATION SPEC	SIZE A3	CAGE CODE 00779
MATERIAL SEE NOTE 1		WEIGHT -	DRAWING NO C-50285	SCALE 10:1
FINISH SEE TABLE		CUSTOMER DRAWING	SHEET 1 OF 1	REV B